

# HMP-4004E

# ELECTRIC LIFT

## HMP-4004ET

With Taiwan control system



### FEATURES:

- \* Weight capacity:  
HMP-4004ET: 400 lbs safe working load.  
HMP-4004ED: 300 lbs safe working load.
- \* Convertible design for manual or electric use and upgrade to electric quickly and easily.
- \* Foot pedal can be easily opened and closed by foot so needn't control it by busy hands.
- \* Optional HMP-S200 scale attachment available.



## HMP-4004ED




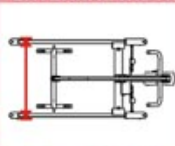
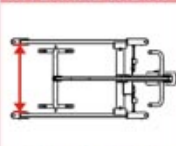
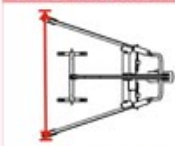
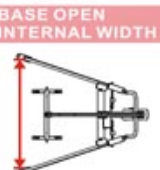





With Denmark control system



Made in Taiwan



### SPECIFICATION:

WEIGHT CAPACITY	MAX. HEIGHT	MIN. HEIGHT	BASE CLOSED EXTERNAL WIDTH	BASE CLOSED INTERNAL WIDTH	BASE OPEN EXTERNAL WIDTH
 400/300 Lbs	 64" (162 CM)	 23" (58 CM)	 26" (66 CM)	 21" (53 CM)	 35.5" (90 CM)
BASE OPEN INTERNAL WIDTH	BASE HEIGHT CLEARANCE	MAST HEIGHT	OVERALL LENGTH	ACTUATOR	UNIT NET WEIGHT
 30.5" (77 CM)	 4.5" (11 CM)	 46" (117 CM)	 41" (104 CM)	 Linak #LA31 600kgs weight capacity	 75/70.5 Lbs (34/32 Kgs)

